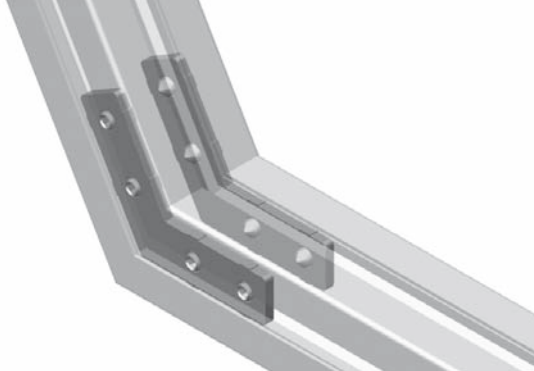




Mitre Connectors (CON M):



General Information:

Function: Connects two aluminium profiles end to end at the angle specified by 'Angle -A-' in the 'Technical information' below.



CON M 90 - S10, CON M 90 - S8



CON M 120 - S10, CON M 120 - S8



CON M 135 - S10, CON M 135 - S8

Item Description:

CON M 90 - S10

Item Number:

1.20.1038.0



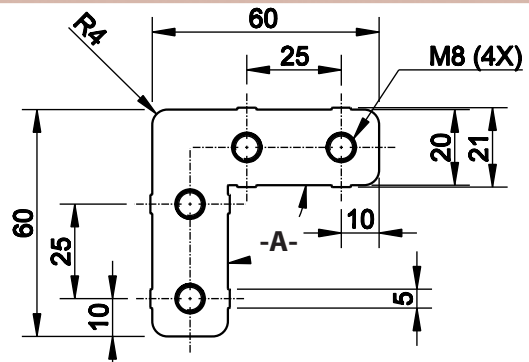
CON M 120 - S10

1.20.1039.0



CON M 135 - S10

1.20.1040.0



Item Description:

CON M 90 - S8

Item Number:

1.20.0838.0



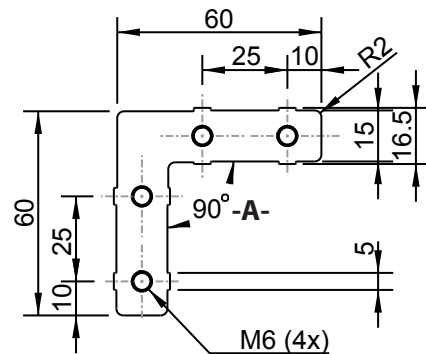
CON M 120 - S8

1.20.0839.0



CON M 135 - S8

1.20.0840.0

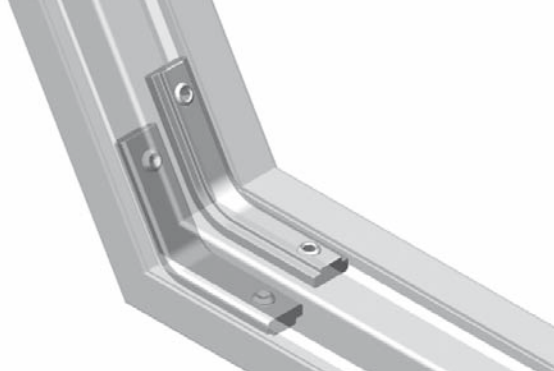


Technical Information:

Item Description	Angle -A- (°)	Set Includes	Weight (g)	Finish	Material
CON M 90 - S10	90.0	4 x (CP grub screws M8 x 10 mm)	56.0	Zinc plated	4.0 mm steel
CON M 120 - S10	120.0		63.0		
CON M 135 - S10	135.0		67.0		
CON M 90 - S8	90.0	4 x (CP grub screws M6 x 8 mm)	-	Zinc plated	2.50 mm steel
CON M 120 - S8	120.0		-		
CON M 135 - S8	135.0		31.0		



Mitre Connectors (CON M):



General Information:

Function: Connects two aluminium profiles end to end at the angle specified by 'Angle -A-' in the 'Technical information' below.



CON MA 120 - S10, CON MB 120 - S10



CON MA 135 - S10, CON MB 135 - S10



CON MA 150 - S10, CON MB 150 - S10

Item Description:

CON MB 120 FA - S10

Item Number:

1.20.1032.0



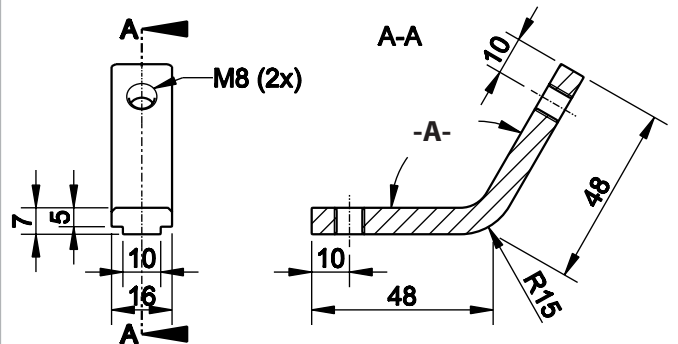
CON MB 135 FA - S10

1.20.1034.0



CON MB 150 FA - S10

1.20.1036.0



Item Description:

CON MB 120 FB - S10

Item Number:

1.20.1033.0



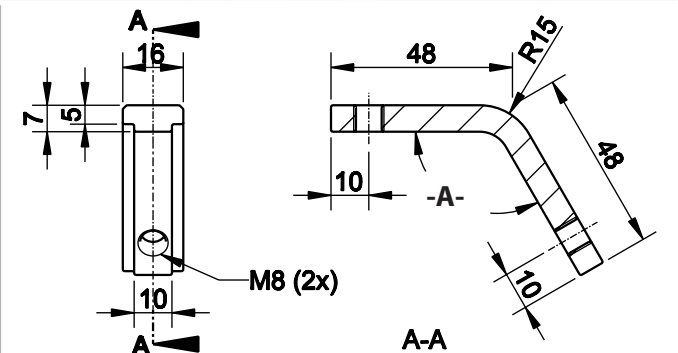
CON MB 135 FB - S10

1.20.1035.0



CON MB 150 FB - S10

1.20.1037.0



Technical Information:

Item Description	Angle -A- (°)	Set Includes	Weight (g)	Finish	Material
CON MA 120 FA - S10	120.0	2 x (CP grub screws M8 x 10 mm)	-	Zinc plated	Steel
CON MA 135 FA - S10	135.0		-		
CON MA 150 FA - S10	150.0		-		
CON MB 120 FB - S10	120.0	2 x (CP grub screws M8 x 10 mm)	-	Zinc plated	Steel
CON MB 135 FB - S10	135.0		-		
CON MB 135 FB - S10	150.0		-		



Corner Brackets (CBR), End Covers (EC):



General Information:

Function: The corner bracket connects profiles and panels at right angles while the end cover hides fasteners and prevents contamination.

Features:

1. Available with or without fastening set.
2. Removable centering tags for 8mm slots.
3. Mounting slots for easy positioning and adjustment.

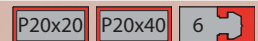
Item Description:

CBR 20 x 20 x 17

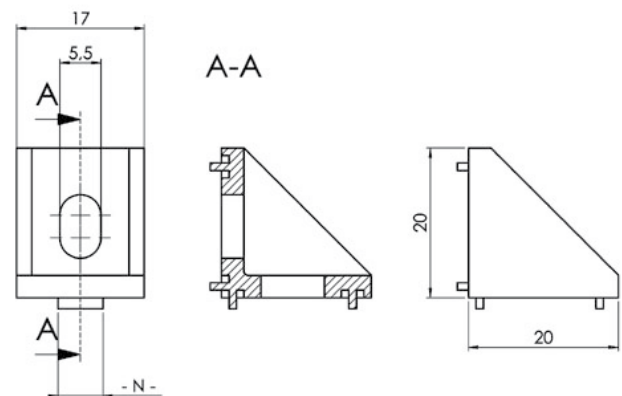
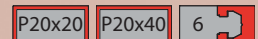
CBR 20 x 20 x 17 - F (Fasteners Included)

Item Number:

C093W201N06



C093W201N06F

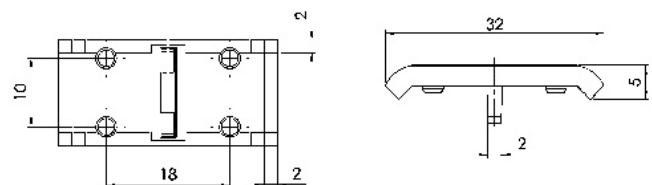


Item Description:

EC 20 x 20 x 17

Item Number:

C093WA201



Technical Information:

Item Description	Dim -N- (mm)	Weight (g)	Colour	Finish	Material
CBR 20 x 20 x 17	6.0	13.0	Natural	Powder coated	Die-cast zinc
CBR 20 x 20 x 17 - F					
EC 20 x 20 x 17	-	2.0	Black	Plain	Fibreglass reinforced nylon



Corner Brackets (CBR), End Covers (EC):



General Information:

Function: The corner bracket connects profiles and panels at right angles while the end cover hides fasteners and prevents contamination.

Features:

1. Available with or without fastening set.
2. Removable centering tags for 8mm slots.
3. Mounting slots for easy positioning and adjustment.
4. Locating slots for the end cover.

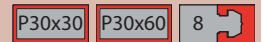
Item Description:

CBR 28 x 28 x 28

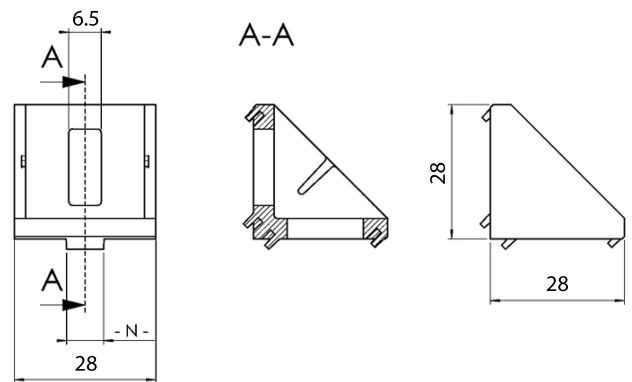
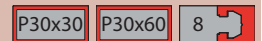
CBR 28 x 28 x 28 - F (Fasteners Included)

Item Number:

C093W301N08



C093W301N08F

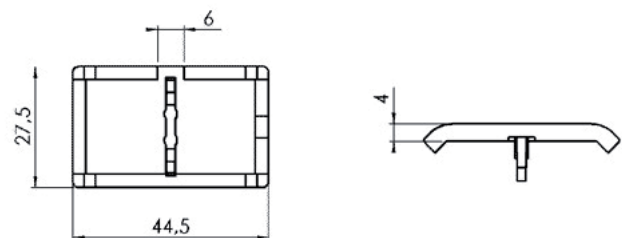


Item Description:

EC 28 x 28 x 28

Item Number:

C093WA301



Technical Information:

Item Description	Dim -N- (mm)	Weight (g)	Colour	Finish	Material
CBR 28 x 28 x 28	8.0	41.0	Natural	Powder coated	Die-cast zinc
CBR 28 x 28 x 28 - F					
EC 28 x 28 x 28	-	4.0	Black	Plain	Fibreglass reinforced nylon



Corner Brackets (CBR), End Covers (EC):

General Information:



Function: The corner bracket connects profiles and panels at right angles while the end cover hides fasteners and prevents contamination.

Features:

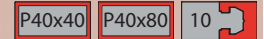
1. Available with or without fastening set.
2. Removable centering tags for 10mm slots.
3. Mounting slots for easy positioning and adjustment.
4. Locating slots for the end cover.

Item Description:

CBR 39 x 39 x 40

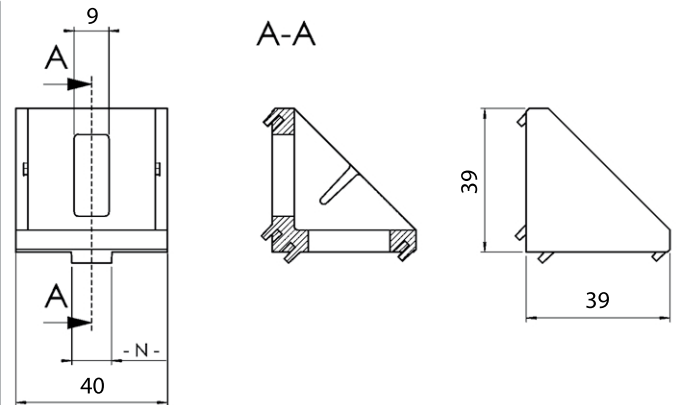
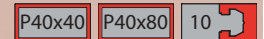
Item Number:

1.20.1052.0



CBR 39 x 39 x 40 - F (Fasteners Included)

1.20.1052.0F

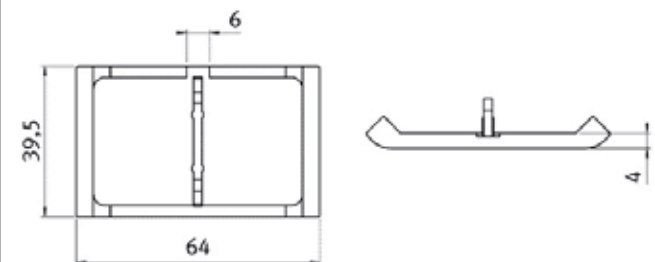


Item Description:

EC 39 x 39 x 40

Item Number:

C093WA401



Technical Information:

Item Description	Dim -N- (mm)	Weight (g)	Colour	Finish	Material
CBR 39 x 39 x 40	10.0	99.0	Natural	Powder coated	Die-cast zinc
CBR 39 x 39 x 40 - F					
EC 39 x 39 x 40	-	6.0	Black	Plain	Fibreglass reinforced nylon



Corner Brackets (CBR), End Covers (EC):



General Information:

Function: The corner bracket connects profiles and panels at right angles while the end cover hides fasteners and prevents contamination.

Features:

1. Available with or without fastening set.
2. Removable centering tags for 10mm slots.
3. Mounting slots for easy positioning and adjustment.
4. Locating slots for the end cover.

Item Description:

CBR 42 x 42 x 42

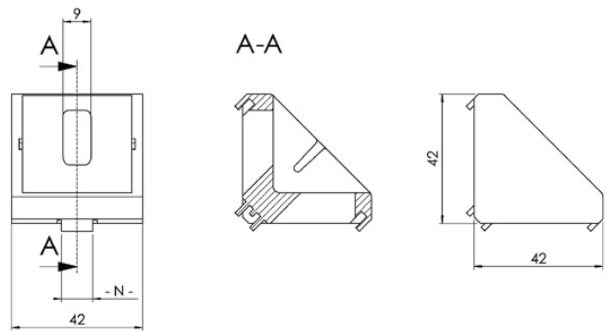
CBR 42 x 42 x 42 - F (Fasteners Included)

Item Number:

C093W421N10



C093W421N10F

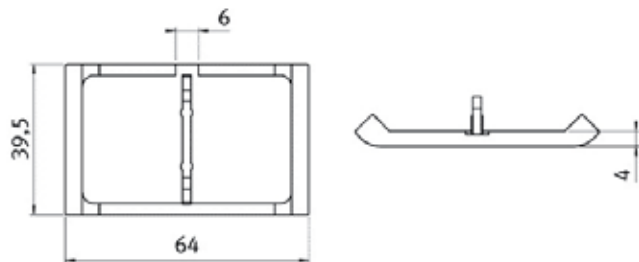


Item Description:

EC 42 x 42 x 42

Item Number:

C093WA421



Technical Information:

Item Description	Dim -N- (mm)	Weight (g)	Colour	Finish	Material
CBR 42 x 42 x 42	10.0	56.0	Natural	Plain	Die-cast aluminium
CBR 42 x 42 x 42 - F					Fibreglass reinforced nylon
EC 42 x 42 x 42	-	14.0	Black		



Corner Brackets (CBR), End Covers (EC):



General Information:

Function: The corner bracket connects profiles and panels at right angles while the end cover hides fasteners and prevents contamination.

Features:

1. Available with or without fastening set.
2. Removable centering tags for 10mm slots.
3. Mounting slots for easy positioning and adjustment.
4. Locating slots for the end cover.

Item Description:

CBR 57 x 57 x 57

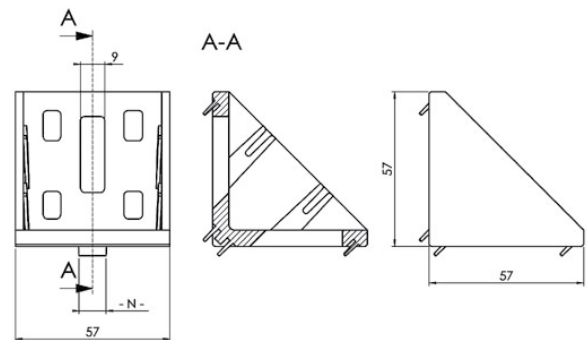
CBR 57 x 57 x 57 - F (Fasteners Included)

Item Number:

C093W601N10



C093W601N10F

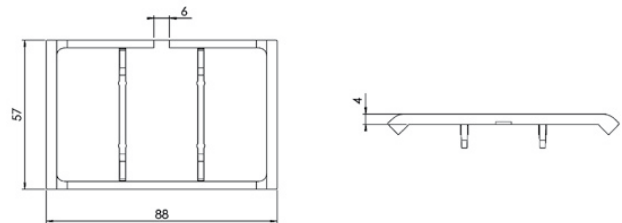
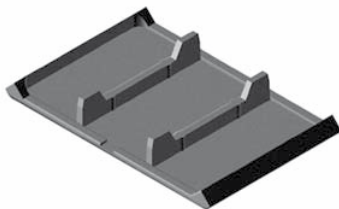


Item Description:

EC 57 x 57 x 57

Item Number:

C093WA601



Technical Information:

Item Description	Dim -N- (mm)	Weight (g)	Colour	Finish	Material
CBR 57 x 57 x 57	10.0	227.0	Natural	Powder coated	Die-cast zinc
CBR 57 x 57 x 57 - F					
EC 57 x 57 x 57	-	21.0	Black	Plain	Fibreglass reinforced nylon



Corner Brackets (CBR), End Covers (EC):

General Information:



Function: The corner bracket connects profiles and panels at right angles while the end cover hides fasteners and prevents contamination.

Features:

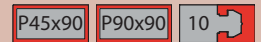
1. Available with or without fastening set.
2. Removable centring tags for 10mm slots.
3. Mounting slots for easy positioning and adjustment.
4. Locating holes for the end cover.

Item Description:

Item Number:

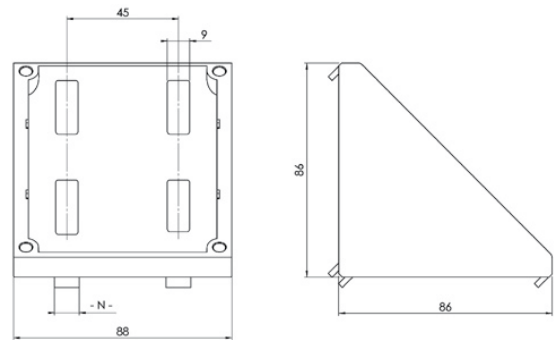
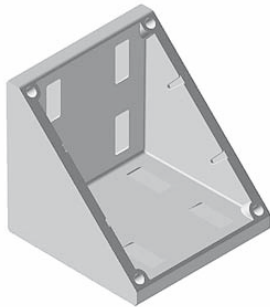
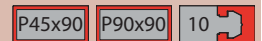
CBR 88 x 86 x 86

C093W901N10S02



CBR 88 x 86 x 86 - F (Fasteners Included)

C093W901N10S02F

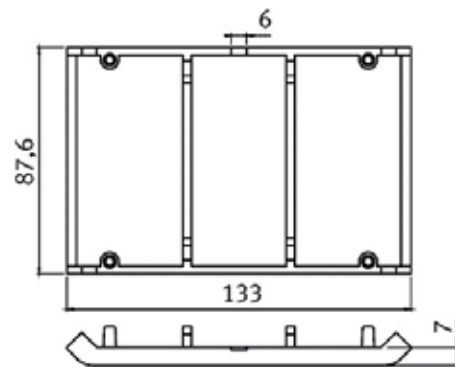
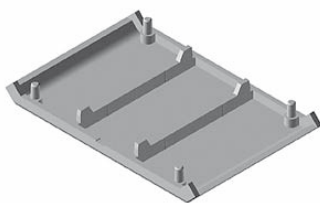


Item Description:

Item Number:

EC 88 x 86 x 86

C093WA901



Technical Information:

Item Description	Dim -N- (mm)	Weight (g)	Colour	Finish	Material
CBR 88 x 86 x 86	10.0	333.8	Natural	Plain	Die-cast alu
CBR 88 x 86 x 86 - F					Fibreglass reinforced nylon
EC 88 x 86 x 86	-	30.0	Black		



Corner Brackets (CBR):



General Information:

Function: Connects profiles and panels at right angles

Features:

1. Available with or without fastening set.
2. No end cover required.
3. Counter-bored holes for positive location.

Item Description:

CBR 43 x 43 x 29

CBR 43 x 43 x 29 - F (Fasteners Included)

Item Number:

1.20.0850.0

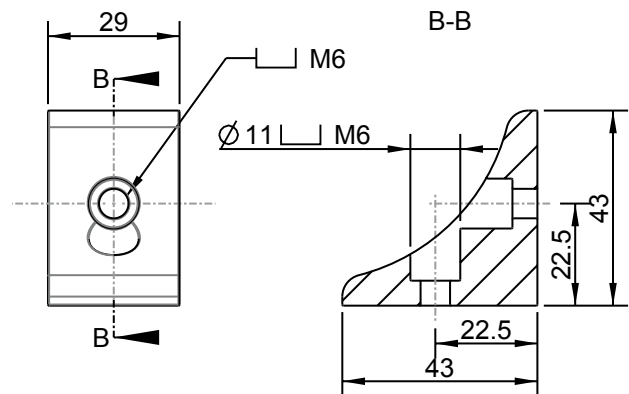
P30x30

P30x60

1.20.0850.0F

P30x30

P30x60



Technical Information:

Item Description	Bore	Weight (g)	Colour	Finish	Material
CBR 43 x 43 x 29	M6	55.0	Natural	Anodized - matt	Aluminium
CBR 43 x 43 x 29 - F					

Corner Brackets (CBR):



General Information:

Function: Connects profiles and panels at right angles

Features:

1. Available with or without fastening set.
2. No end covers required
3. The 'CBR 43 x 43 x 43H' corner bracket has counter-bored holes for positive location.
4. The 'CBR 43 x 43 x 43' corner bracket has slots for bi-lateral adjustment.

Item Description:

CBR 43 x 43 x 40

Item Number:

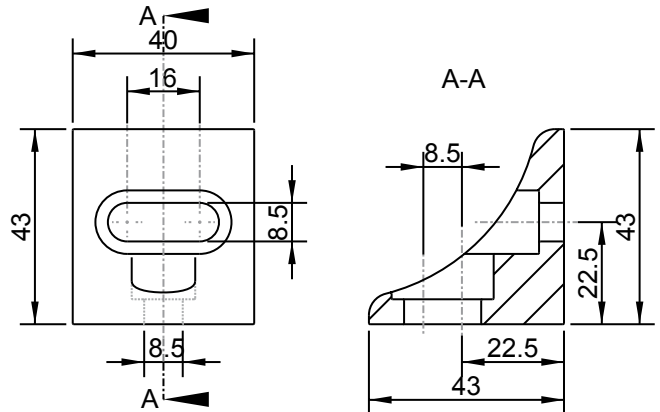
1.20.1051.0

P45x45 P45x60 P45x90

CBR 43 x 43 x 40 - F (Fasteners Included)

1.20.1051.0F

P45x45 P45x60 P45x90



Item Description:

CBR 43 x 43 x 40H

Item Number:

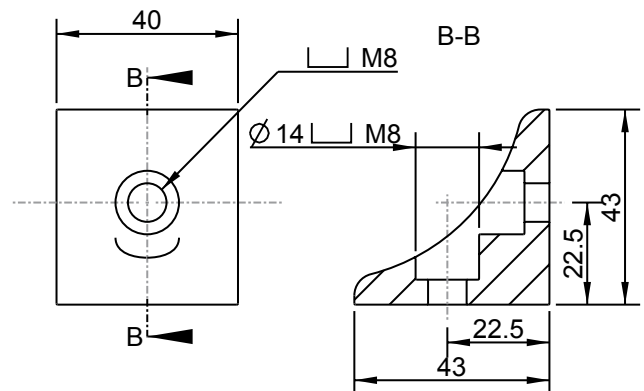
1.20.1050.0

P45x45 P45x60 P45x90

CBR 43 x 43 x 40H - F (Fasteners Included)

1.20.1050.0F

P45x45 P45x60 P45x90



Technical Information:

Item Description	Bore	Weight (g)	Colour	Finish	Material
CBR 43 x 43 x 40	M8	66.0	Natural	Anodized - matt	Aluminium
CBR 43 x 43 x 40 - F					
CBR 43 x 43 x 40H					
CBR 43x43x40H - F					
		76.0			